

Features

- Compact, modern washdown urinal with no exposed bolt connections
- 0.125 - 1.0 gpf (0.47 - 3.8 lpf)
- Winning design is perfect for contemporary bathrooms
- Smooth contours make cleaning fixture fast and easy
- Back wall design provides superior splash containment
- Extended lip helps keep floor cleaner
- 3/4" (19 mm) top spud

Material

- Vitreous china

Technology

- Innovative trapway can be removed and replaced if necessary

Installation

- Trapway secures urinal to wall, eliminating bolts for a faster installation

Included Components

Additional Components:

- 3/4" inlet spud
- Hanger
- NPT outlet



Codes/Standards

ASME A112.19.2/CSA B45.1
DOE - Energy Policy Act 1992
EPA WaterSense™
California Energy Commission (CEC)
ADA
ICC/ANSI A117.1

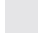

KOHLER® One-Year Limited Warranty

See website for detailed warranty information.

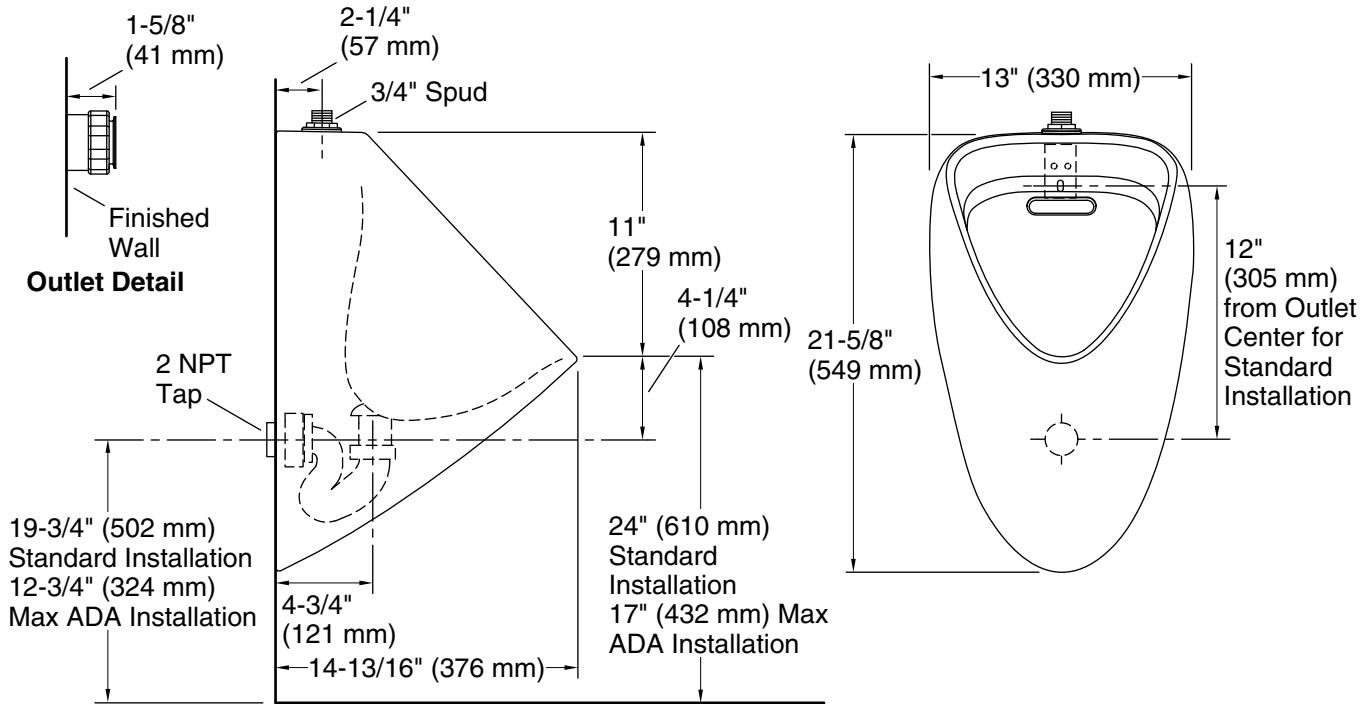
Available Colors/Finishes

Color tiles intended for reference only.

Color	Code	Description
-------	------	-------------

	0	White
	7	Black Black™

Note: Customer Connection Pipe must have 2" NPT External Thread.



Technical Information

All product dimensions are nominal.

Flush outlet technology:	Washdown
Spud size:	3/4, Inlet, Top
Min. Water per Flush:	0.125 gal (0.5 L)
Max. Water per Flush:	1 gal (3.8 L)

Designed for the above water use when installed with a water-saving flushometer.

Pressure and Supply Requirements

Fixture pressure min (static):	25 psi (172.4 kPa)
Fixture pressure max (static):	80 psi (551.6 kPa)

Notes

Install this product according to the installation instructions.

Recommended ADA outlet spud height will account for normal product variation.

For ADA compliance, measurement must be 17" (432 mm) or less from the floor to the top of the lip.

ADA compliant when installed to the specific requirements of these regulations.